

Everon SD Solutions

10G HPOE Media Converter (1LAN-FMC-10G)

The Corning 10G HPOE Media Converter is the smallest industrial-grade 10G Ethernet media converter (from 10000Base-X SFP+ to 10G/5G/2.5G/1G/100M Base-T Copper) with 802.3bt Power over Ethernet Plus Plus (PoE++) injector function to deliver up to 90W of power output and high data transmission speed to PDs (powered devices) installed in a remote area where sufficient and reliable power input is required, providing non-blocking wire-speed performance and great flexibility for 10G Ethernet extension in harsh industrial environment. It is equipped with one 10G/5G/2.5G/1G/100M Base-T RJ45 copper interface and one 10GBase-X SFP+ fiber optic interface delivered in an IP30 rugged but compact sized strong case with redundant power system (44~57VDC).



It is Ideal for wide range of applications from copper to fiber media conversion wherever 10GE bandwidth is required in climatically demanding environments with wide temperature ranges.

Features	Benefits
Physical Port	<ul style="list-style-type: none"> 1 port 10G/5G/2.5G/1G/100M Base-T RJ45 interface with IEEE 802.3bt PoE++ injector function 1 port 10GBase-X SFP+ interface
Power over Ethernet	<ul style="list-style-type: none"> Complies with IEEE 802.3bt PoE++ Type-4 PSE Backward compatible with IEEE 802.3af/at PoE+ standard Supports PoE Power up to 90 watts for PoE port Provides DC 55V power over RJ45 Ethernet cable to PD with Ethernet port Auto-detect IEEE 802.3bt equipment and incorrect installation damage protection Remote powering of connected PD up to 100m
Layer 2 Features	<ul style="list-style-type: none"> IEEE 802.3an/802.3ae Ethernet standard compliant Supports auto-negotiation and 10Gbps full duplex mode Prevents packet loss with IEEE 802.3x pause frame flow control (full-duplex) Automatic address learning and address aging
Industrial Case and Installation	<ul style="list-style-type: none"> Slim-type IP30 metal case DIN rail and wall-mount design 44~57V DC redundant power with reverse polarity protection 100 meters over Cat6A at 10Gbps Plug and Play Installation

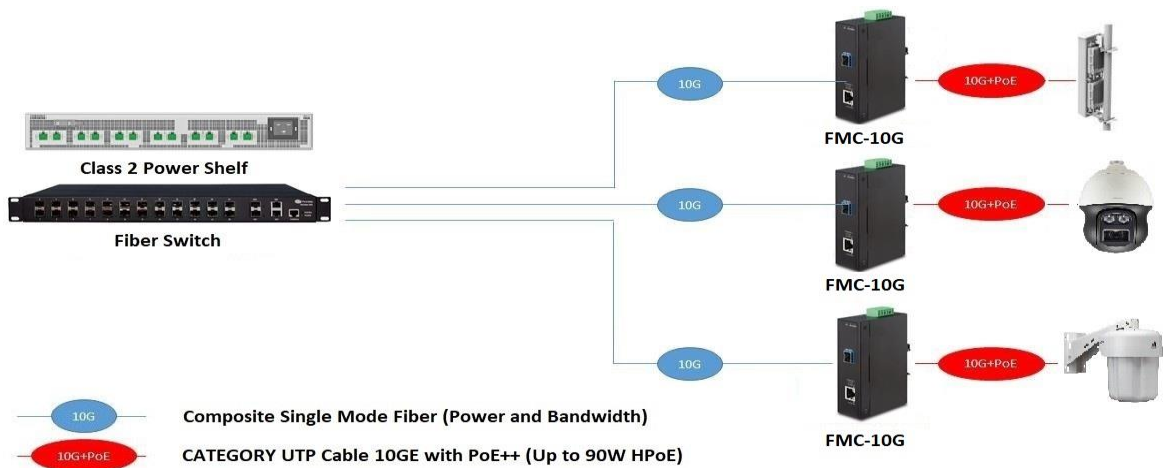
Specifications |

Hardware Specifications	
Copper Interface	1 x 10G/5G/2.5G/1G/100M Base-T RJ45, Auto-MDI/MDI-X, auto-negotiation
Fiber Optical Interface	1 x 10GBase-SR/LR SFP+ interface
Connector	Removable 6-pin terminal block Pin 1/2 for Power 1, Pin 3/4 for fault alarm, Pin5/6 for Power 2
Alarm	Provides one relay output for power failure
LED	PWR, SYS, Fault Alarm, PoE++ Usage, 10G RJ45 port LNK/ACT, 10G SFP+ port LNK/ACT
Enclosure	IP30 type metal case
Installation	DIN-rail and wall mount
Dimensions (W x D x H)	3.03 x 1.48 x 4.21 in (77 x 37.5 x 107mm)
Weight	270g
Power Requirements	44~57V DC, supports reverse polarity protection
Power Consumption	System ON without loading: 48V DC: 4.36W Full loading with PoE++: 48V DC: 98W
Specifications	
Flow Control	IEEE 802.3x pause frame for full duplex
Fabric	20Gbps
Network Cables	10G/5G/2.5G/1G/100M Base-T: 10G - Cat 6A/7 5G - Cat 6/6A/7 2.5G/1G - Cat 5e/6/6A/7 100M – Cat 5/5e/6/6A/7 Cat 5/5e/6/6A/7 UTP cable (max 100 meters) EIA/TIA-568 100-ohm STP (max 100 meters) 10GBase-LR/SR/BX: 50/125um or 62.5/125um multi-mode fiber optic cable, up to 300m 9/125um single-mode fiber optic cable, up to 80km
Power over Ethernet	
PoE Standard	IEEE 802.3bt Power over Ethernet Plus Plus (HPoE)
PoE Power Output	90W
PoE Power Supply Type	End-span + Mid-span
Power Pin Assignment	Mode A End-span: 1/2(-), 3/6(+) Mode B Mid-span: 4/5(+), 7/8(-)
PoE Power Budget	90 watts@44~57V DC input
Standards Conformance	
IEEE Standards	IEEE 802.3u 100Base-T IEEE 802.3ab 1000Base-T IEEE 802.3bz 2.5G/5GBase-T IEEE 802.3an 10GBase-T IEEE 802.3ae 10Gbps Ethernet IEEE 802.3af Power over Ethernet
Regulatory Compliance	FCC Part 15 Class A
Environment	
Temperature	Operating: -40°C ~ 65°C -40°F ~149°F Storage: -40°C ~ 85°C -40°F~185°F
Humidity	Operating: 5% ~ 95% RH Non-condensing

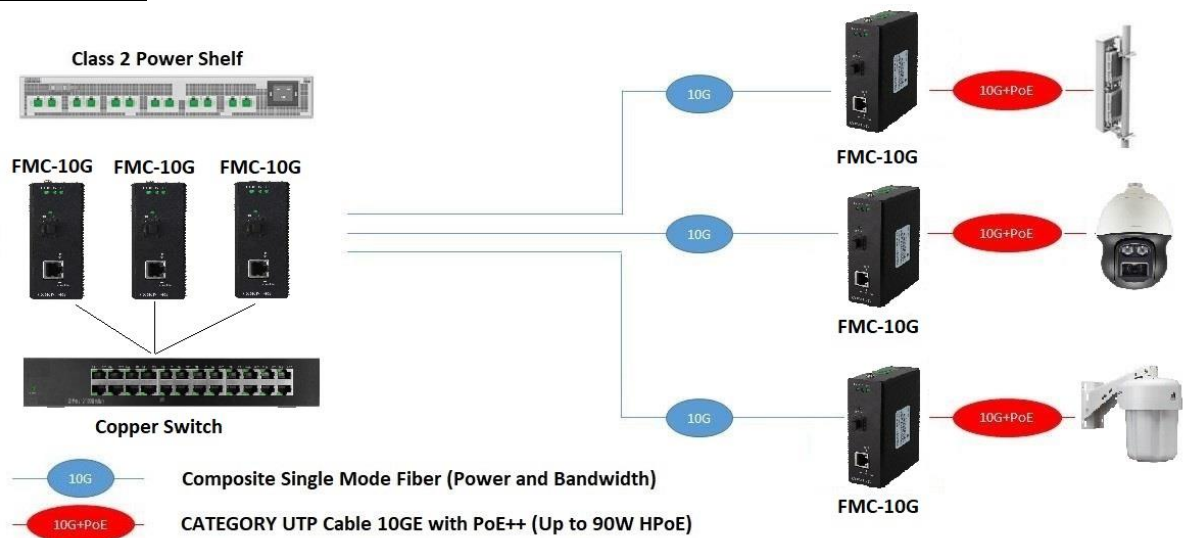
Application |

The Corning FMC-10G lends itself to 2 main methods of deployment.
Single sided - extending the reach of an optical switch.
Double sided - extending the reach of a copper based switch.

Method 1:



Method 2:



Ordering Information

P/N	Short Description
1LAN-FMC-10G	10G Fiber Media Converter, 1x10G RJ-45, 802.3bt HPoE
1LAN-FMC-DINBRACKET	Din Rail Accessory Bracket for FMC (48.4 x 32 x 9mm) (15g)
1LAN-SDAN-DIN1160	EN 50022 – 35 × 7.5 (1M) (DIN RAIL)
CIP-16-56V	Class 2 power supply, 56Vdc, 16 channels, 1.5RU
CIP-32-56V	Class 2 power supply, 56Vdc, 32 channels, 2RU
PSM-I	Power Supply Module
PSU6-1U	Power Supply Unit
1LAN-SDAN-PWRSUP2	POWER SUPPLY, SDAN (72W)
1LAN-SDAN-PWRSUP160	POWER SUPPLY, SDAN (150W)
1LAN-D600-ENC-3	NEMA4 enclosure
1LAN-D600-FMC-KIT	Mounting kit for 1LAN-FMC-10G into 1LAN-D600-ENC-3 outdoor enclosure
1LAN-D600-ENC-8	NEMA4 enclosure, contains DIN Rail for mounting 1LAN-FMC-10G
1LAN-SFPP-10G-BXD-I	10GBASE-BX10-D BiDi SFP+ 1330nm-TX/1270nm-RX 10km DOM Transceiver Module
1LAN-SFPP-10G-BXU-I	10GBASE-BX10-U BiDi SFP+ 1270nm-TX/1330nm-RX 10km DOM Transceiver Module
1LAN-SFPP-10LR	10Gb/s SFP+ Transceiver module, SMF, 1310nm, 10km



Corning Optical Communications LLC • 4200 Corning Place • Charlotte, NC 28216 USA

800-743-2675 • FAX: 828-325-5060 • International: +1-828-901-5000 • www.corning.com/opcomm

Corning Optical Communications reserves the right to improve, enhance, and modify the features and specifications of Corning Optical Communications products without prior notification. A complete listing of the trademarks of Corning Optical Communications is available at www.corning.com/opcomm/trademarks. All other trademarks are the properties of their respective owners. Corning Optical Communications is ISO 9001 certified. © 2021 Corning Optical Communications. All rights reserved.