



# SMP™ Series

High Amperage Connectors

*Rated to 1135 amps@1000 V AC DC*





SMP™ Series Connectors are designed for use in the drilling industry. The rugged construction and design features lend themselves to the demanding environment of drilling operations.

## Contents



## SMP™ Series

SMP™ Series Introduction	4
SMP™ Series Variants	5
Code Logoc	7
Panel Mounted Receptacles	9
4 Panel Mounted Receptacles	10
Protective Covers	11
Complete Cable Mount Receptacle	12
Cable Mounted Receptacle Shell	13
Cable Mounted Plugs	14
Contact, Panel Mounted	16
Assembly Instructions	18
Contact, Cable Mounted (Crimp/Solder)	18
Spares	19

*This series of connectors are designed to carry an ampacity equivalent to that of suitable cable. SMP plugs and receptacles are configured to connector all of the components of a typical drilling rig application, both land based and offshore.*



**Typical applications include:**

- SCR Drive systems
- Traction Motors
- Mud Pumps and Drawworks





### Single Pole, High-amperage Connectors

For use with single conductor cables 4/0 AWG (109mm<sup>2</sup>) to 777 MCM (394mm<sup>2</sup>).

Description and design features:

#### Applications

SMP series connectors can be used wherever high amperage connection of AC or DC power is required. Typical applications are the connection of power from generator sets to Switchgear or SCR drives. Traction motors, mud pumps, drawworks, rotary tables, cement pumps and top drives.

#### Electrical Integrity

SMP series connectors are designed to run at full rated load and complement the latest drilling cable electrical ratings.

#### Operator Safety

The inherent design of the connectors is such that the electrical contacts are shrouded by the Rubber insulations and the male ( power side ) has a dead front end to protect operators from shock hazard. Connectors are rated @1000 VAC or DC current with the ability to withstand intermittent surges up to 1300 amps.

#### Phase Identification

Connectors are color coded to provide easy circuit identification. Colored insulations for both AC and DC circuit. Color coding prevents reverse phasing or cross polarization of DC circuits. Receptacle housings are also color coded to further assist the identification of phases.

Ampacity Ratings in 40°C Ambient		
Cable Size	90°C	125°C
4/0 MCM	364 AMPS	451 AMPS
262 MCM	513 AMPS	636 AMPS
313 MCM	548 AMPS	669 AMPS
373 MCM	642 AMPS	796 AMPS
444 MCM	724 AMPS	898 AMPS
535 MCM	814 AMPS	1009 AMPS
646 MCM	916 AMPS	1135 AMPS
777 MCM		

### Environmental capabilities

#### Ingress Protection

Connectors are designed to provide weathproof service in a variety of demanding environments. The insulations are resistant to oil, mud, sea water and petroleum products found in the drilling industry. Correctly assembled, the connectors provide safe trouble free operation in the most extreme working conditions.

#### Qualification

UL CSA 468 A and B

### Configurations

SMP series connectors are available in all configurations male and female connectors. Typical configurations are shown below:

Power Side	Equipment side	Use
Male receptacle panel mount	Female plug	AC or DC Output side of panel
Inline male receptacle	Female plug	Inline cable to cable connections
Male plug cable mounted	Panel mount receptacle	AC power to switch-gear

#### Termination

Termination method is crimp on cable mounted plugs and receptacles and bus bar termination is provided on panel mounted receptacles. The rubber insulations can be bonded to the cables by vulcanization. Vulcanizers are available on request.

#### Type P Cables

SMP series connectors are designed to work in conjunction with the latest generation of Type P drilling cables, per IEEE 45. Cable accommodations are 4/0 AWG (109mm<sup>2</sup>) to 777 MCM (394mm<sup>2</sup>)

#### Mounting Data

SMP Series connectors are designed specifically with the requirements of the drilling industry in mind. A space saving design allows the mounting of receptacles in very close proximity to each other. This allows operators to reduce the overall space requirement on switch gear and SCR drives. See 'Assembly Instructions' for mounting dimensions

#### Temperature Ratings

The connectors are designed to operate in both extremes of cold and high temperature applications. The Insulations are designed to withstand the very low temperatures found in arctic conditions, in addition to being able to run at full rated load in high ambient temperatures.

#### Installation

The simple design of the SMP series , allows the connectors to be mated and unmated without the use of tools.

#### Materials

##### Insulations

Synthetic rubber

##### Receptacle Housings

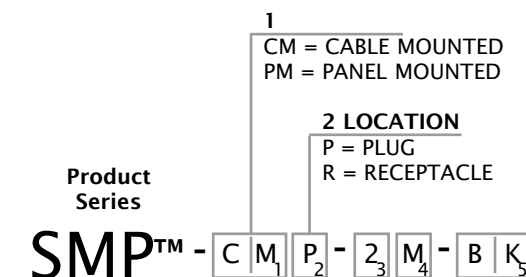
Copper free aluminum alloy, epoxy powder coated

##### Contacts

Tin plated copper alloy

### Complete Connector. Cable mounted plugs, receptacles and panel mounted receptacles

Includes: Shell; Dust Cover; Contact; Cable Clamp / Gasket, as required.



#### 3 Contact Code

##### Panel Mounted (Bolted Lug)

- 1 = Single Bolt Hole
- 2 = Two Bolt Holes

Omit for Cable Mounted option

##### Cable Mounted (Crimp)

- 4/0 = 4/0 AWG (109mm<sup>2</sup>)
- 262 = 262 MCM (132mm<sup>2</sup>)
- 313 = 313 MCM (159mm<sup>2</sup>)
- 373 = 373 MCM (159mm<sup>2</sup>)
- 444 = 444 MCM (227mm<sup>2</sup>)
- 535 = 535 MCM (273mm<sup>2</sup>)
- 646 = 646 MCM (326mm<sup>2</sup>)
- 777 = 777 MCM (394mm<sup>2</sup>)

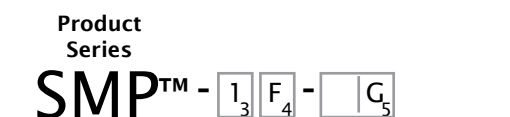
#### 4 Contact Gender

- M = Male Pin
- F = Female Socket

#### 5 Color Code

- R = Red
- BK = Black
- W = White
- G = Green
- P = Purple
- Y = Yellow
- OR = Orange
- BL = Blue
- BR = Brown
- GY = Grey

### SPARE CONTACTS



#### 3 Contact Code

##### Panel Mounted (Bolted Lug)

- 1 = Single Bolt Hole
- 2 = Two Bolt Holes

##### Cable Mounted (Crimp / Solder)

- 4/0 = 4/0 AWG (109mm<sup>2</sup>)
- 262 = 262 MCM (132mm<sup>2</sup>)
- 313 = 313 MCM (159mm<sup>2</sup>)
- 373 = 373 MCM (159mm<sup>2</sup>)
- 444 = 444 MCM (227mm<sup>2</sup>)
- 535 = 535 MCM (273mm<sup>2</sup>)
- 646 = 646 MCM (326mm<sup>2</sup>)
- 777 = 777 MCM (394mm<sup>2</sup>)

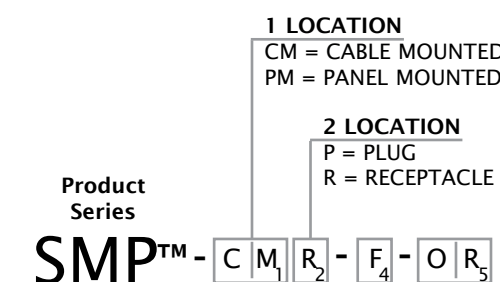
#### 4 Contact Gender

- M = Male Pin
- F = Female Socket

#### 5 Color Code

- R = Red
  - BK = Black
  - W = White
  - G = Green
  - P = Purple
  - Y = Yellow
  - OR = Orange
  - BL = Blue
  - BR = Brown
  - GY = Grey
- For Panel Mounted Contacts

### SPARE SHELLS



#### 4 Contact Gender

- M = Male Pin
  - F = Female Socket
- Omit for Receptacles

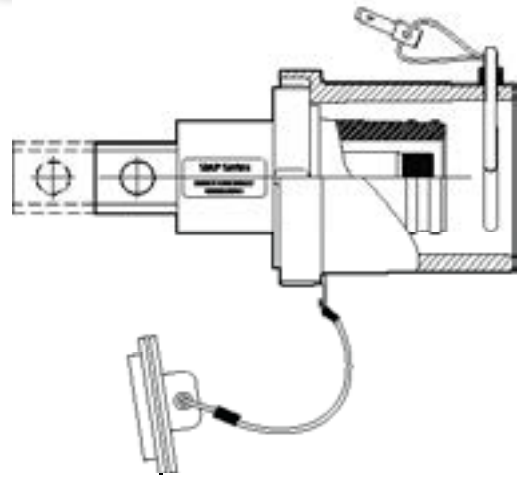
#### 5 Color Code

- R = Red
- BK = Black
- W = White
- G = Green
- P = Purple
- Y = Yellow
- OR = Orange
- BL = Blue
- BR = Brown
- GY = Grey

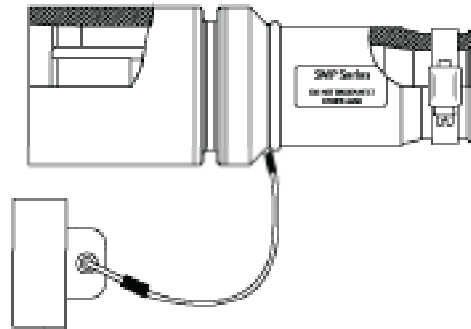
# SMP™ Series Variants

## Overview of Possible Configurations

### Load Side Panel Mount Receptacle Configuration

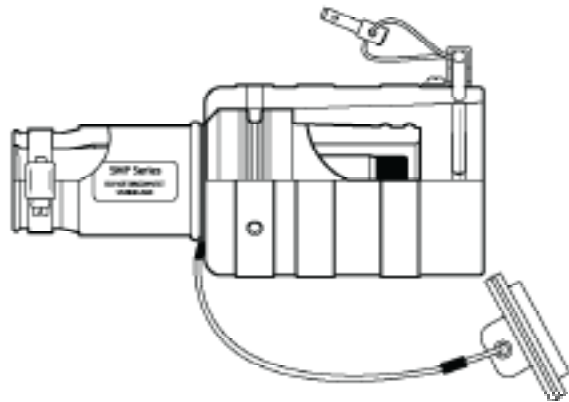


CABLE MOUNTED PLUG,  
FEMALE CONTACT  
SMP-CMP-7F-XX

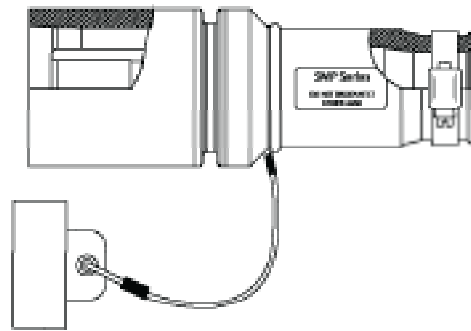


### Load Side Cable Mount Receptacle Configuration

CABLE MOUNTED RECEPTACLE

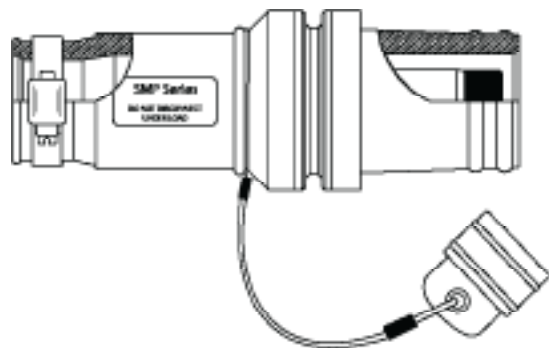


CABLE MOUNTED PLUG,  
FEMALE CONTACT  
SMP-CMP-7F-XX

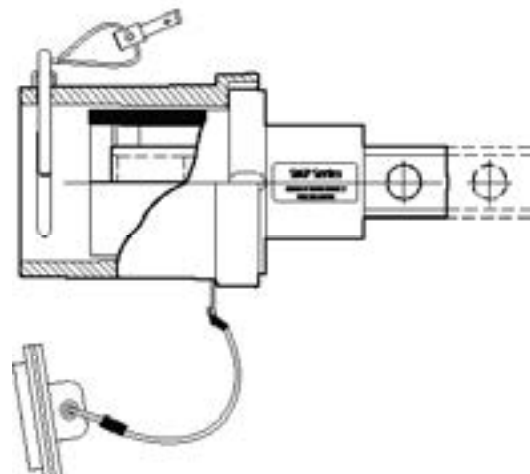


### Load Side Panel Mount Receptacle Configuration

CABLE MOUNTED PLUG,  
MALE CONTACT  
SMP-CMP-77M-XX



CABLE MOUNTED RECEPTACLE



XX denotes color  
Complete Connector Includes: Dust Cover, Contact, Cable Clamp/ Gasket as required  
SMP-CMR-XM-XX - Includes: Coupling Sleeves, (Cable Mounted Receptacles to use Male Contact)

# SMP™ Series Industry Features and Benefits

## Cable Mounted Plugs & Receptacles

### SMP™ Female Plugs



### SMP™ Male Plugs



**Insulators:** The rubber insulators can be bonded to the cables by vulcanization.

- Stainless Steel Hose Clamp provided. Rubber cap included.
- Allows for the electrical contacts to be shrouded by the rubber insulators. The male has a Dead Front end to help protect operators from shock hazard. Rated 1000 volts AC or DC with ability to withstand intermittent surges up to 1,300 Amps.
- Locking ring is powder coated black to prevent unnecessary corrosion thus enhancing the life of the product.
- Insulation - Made with a Proprietary Synthetic Thermoset Rubber with "Self-Lubricating" technology. Insulators are resistant to oil, mud, sea water and petroleum products and are designed to provide weatherproof service in a variety of demanding environments. Correctly assembled, the connectors provide safe, trouble-free operation in the most extreme working conditions.
- Molded vacuum release groove designed into all insulators aids in assembly and disassembly of connectors while allowing NEMA 3R seal.

### SMP™ Female Contacts



### SMP™ Male Contacts



- New contrast profile allows increased contact pressure with reduced insertion force (**U.S. patent pending**).
- The heavy spring stainless steel locking band has six flared locking clasps which provides a more permanent mounting connection, competitive brands only provide four locking clasps.
- Dead Front Delrin® Ring. Provides increased safety by helping to prevent accidental contact.  
- Termination method is double crimp style for cable mounted plug.

*Delrin® is a registered trademark of DuPont.*

# Industry Features and Benefits

## Panel Mount Receptacles

SMP™ Female Receptacles



SMP™ Male Receptacles



**Temperature Ratings:** Stran Technologie's SMP™ receptacles are designed to operate in extreme temperatures, from low Arctic conditions to the high temperatures of the Middle East deserts. Even under these conditions, Stan Technologies products will be able to operate at full rated load (-40°C to +55°C ambient).

- Buss Bar termination is provided on all panel mounted receptacles. Receptacles are available with Single or Double Hole Buss Bar Styles.
- Insulation - Made with a Proprietary Synthetic Thermoset Rubber (not inexpensive Thermoplastic) with "Self-Lubricating" technology. The receptacles are resistant to oil, mud, sea water and petroleum products. Material is designed to provide weatherproof service in a variety of demanding environments.
- Molded vacuum release groove designed into all insulators aids in assembly and disassembly of connectors while allowing NEMA 3R seal.



# Industry Features and Benefits

## Panel Mount Receptacles



SMP™ Panel Mount Housing

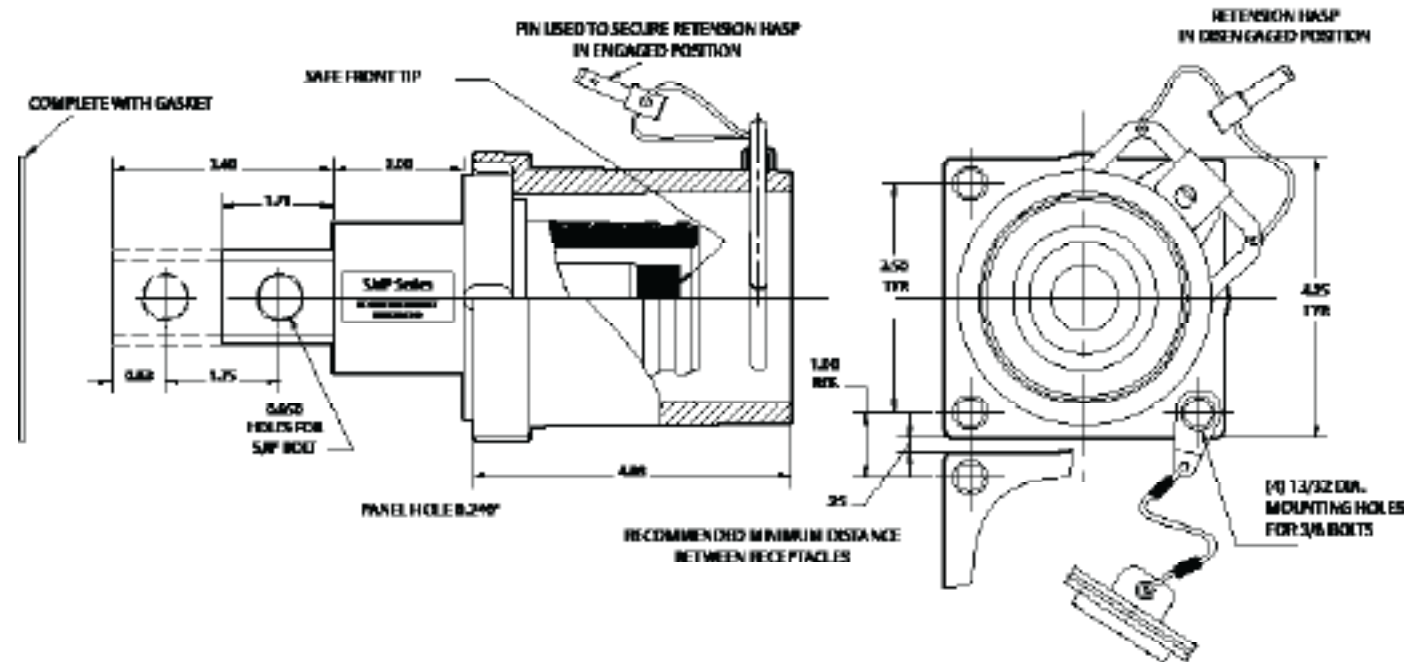
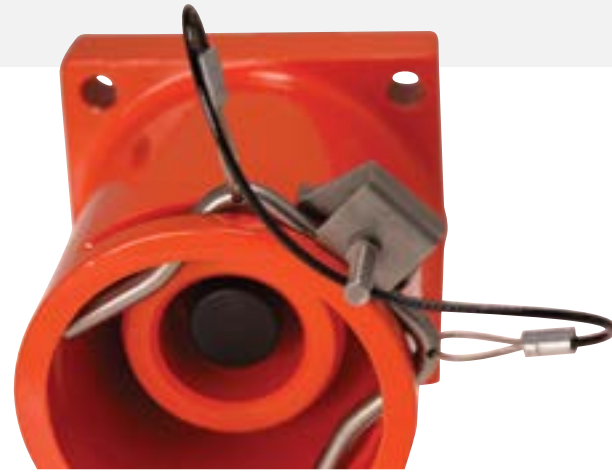
- Stran Technologies "Snap Action" locking mechanism, located at a 45° degree angle can withstand the most intensive vibration. Included is a safety pin and a pull lanyard to disengage the mechanism easily. Unique diameter of locking pin opening and available pad lock enhances safety. OSHA 1910 compliant.
- In addition to the traditional alignment of the receptacle buss bars, SMP® Receptacle Housing offers four alignment cutouts which allows positioning of the buss bar at 45° left or 45° right to ease cable routing.



# Panel Mounted Receptacle

## Male Assembly

SMP-PMR-M-XX



### Materials

#### Receptacle Body

Oil, Alkaline & UV resistant, color coded epoxy powder coating over aluminum

#### Contact Housing

Oil, Alkaline & UV resistant, flame retarding color coded synthetic rubber

#### HASP Assembly

316 Stainless Steel

#### Retaining Cord

Non conductive PVC coated stainless steel wire rope, black with zinc plated copper crimps

#### Contact

Tin plated copper

#### Contact Safe Front End

Black Insulator

#### Gasket

Neoprene, black

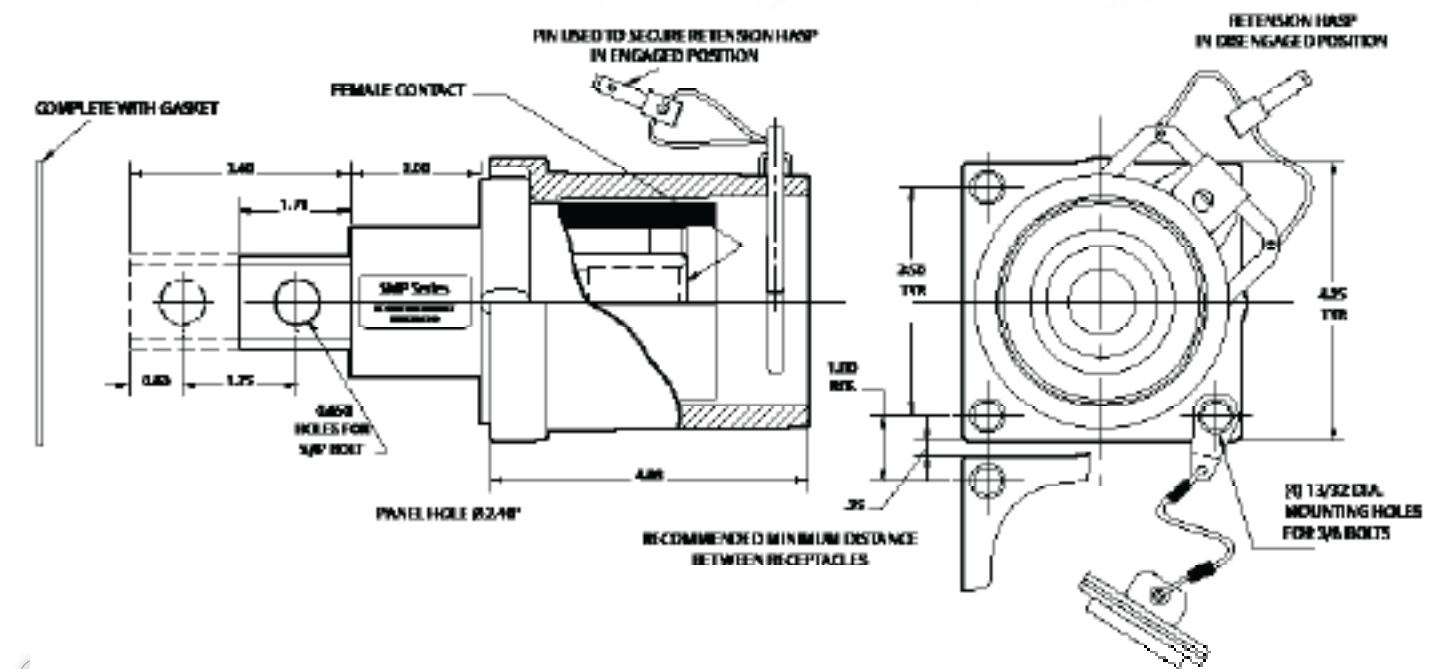
### Complete Male Assembly

Single Hole Bus Bar	Double Hole Bus Bar
SMP - PMR - 1M - XX	SMP - PMR - 2M - XX
SMP - PMR - 1M - R	SMP - PMR - 2M - R
SMP - PMR - 1M - BK	SMP - PMR - 2M - BK
SMP - PMR - 1M - W	SMP - PMR - 2M - W
SMP - PMR - 1M - G	SMP - PMR - 2M - G
SMP - PMR - 1M - P	SMP - PMR - 2M - P
SMP - PMR - 1M - Y	SMP - PMR - 2M - Y
SMP - PMR - 1M - OR	SMP - PMR - 2M - OR
SMP - PMR - 1M - BL	SMP - PMR - 2M - BL
SMP - PMR - 1M - BR	SMP - PMR - 2M - BR
SMP - PMR - 1M - GY	SMP - PMR - 2M - GY

# Panel Mounted Receptacle

## Female Assembly

SMP-PMR-F-XX



### Materials

#### Receptacle Body

Oil, Alkaline & UV resistant, Color coded epoxy powder coating over aluminum

#### Contact Housing

Oil, Alkaline & UV resistant, flame retarding color coded synthetic rubber

#### HASP Assembly

316 Stainless Steel

#### Retaining Cord

Non conductive PVC coated stainless steel wire rope, black with zinc plated copper crimps

#### Contact

Tin plated copper

#### Contact Safe Front End

Black Insulator

#### Gasket

Neoprene, black

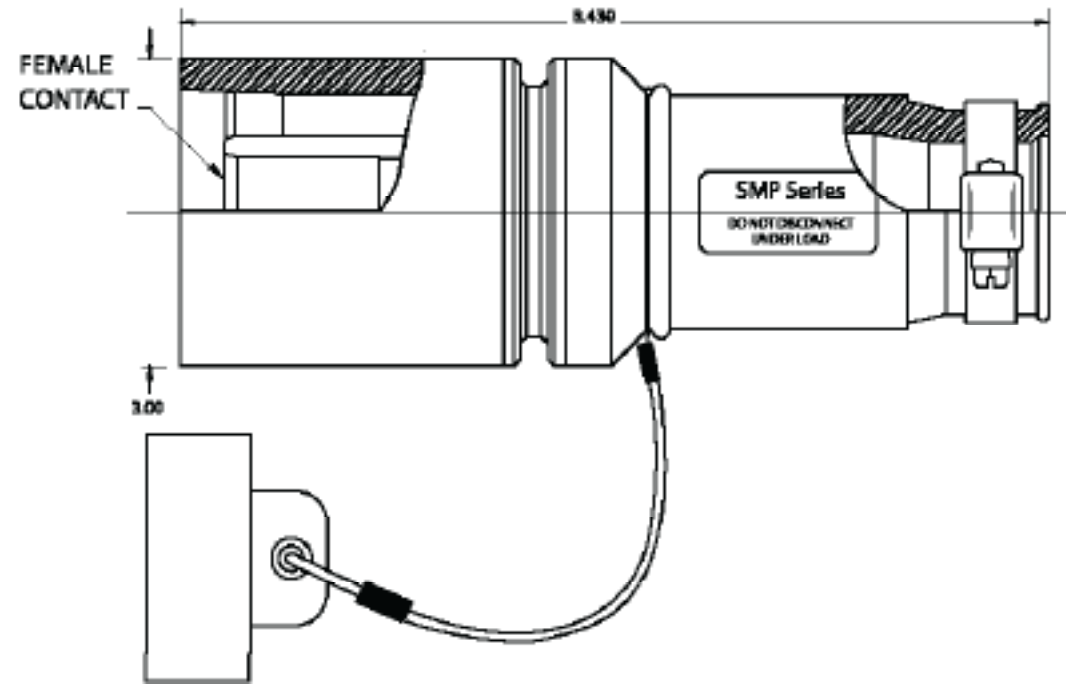
### Complete Female Assembly

Single Hole Bus Bar	Double Hole Bus Bar
SMP - PMR - 1F - XX	SMP - PMR - 2F - XX
SMP - PMR - 1F - R	SMP - PMR - 2F - R
SMP - PMR - 1F - BK	SMP - PMR - 2F - BK
SMP - PMR - 1F - W	SMP - PMR - 2F - W
SMP - PMR - 1F - G	SMP - PMR - 2F - G
SMP - PMR - 1F - P	SMP - PMR - 2F - P
SMP - PMR - 1F - Y	SMP - PMR - 2F - Y
SMP - PMR - 1F - OR	SMP - PMR - 2F - OR
SMP - PMR - 1F - BL	SMP - PMR - 2F - BL
SMP - PMR - 1F - BR	SMP - PMR - 2F - BR
SMP - PMR - 1F - GY	SMP - PMR - 2F - GY

## Cable Mounted Plug

Female

SMP-CMP-F-XX



### Materials

#### Plug Housing

Oil, Alkaline & UV resistant, flame retarding color coded synthetic rubber

#### Cable Clamp

316 Stainless Steel worm gear

#### Environment Cover

Oil, Alaline & UV resistant, flame retarding black synthetic rubber

#### Contact

Tin plated copper

#### Plug Retention Ring

Hardcoated Aluminium

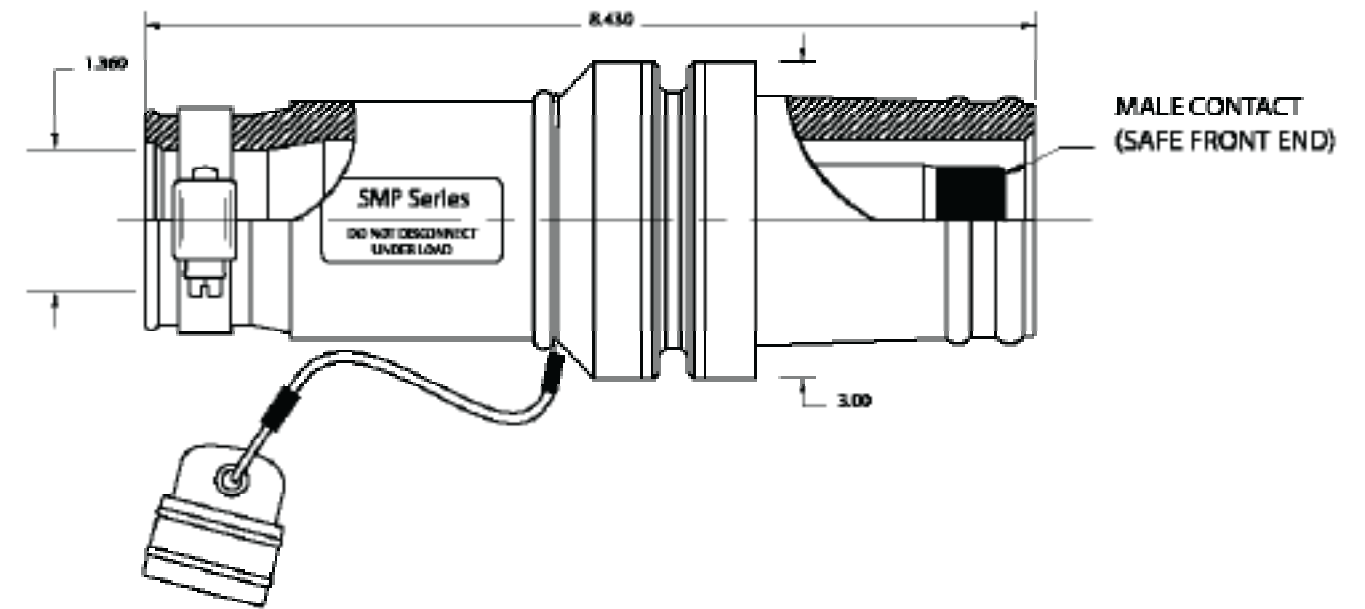
#### Retaining Cord

Non-conductive PVC coated stainless steel wire rope, black with zinc plated copper crimps

## Cable Mounted Plug

Male

SMP-CMP-M-XX



### Materials

#### Plug Housing

Oil, Alkaline & UV resistant, flame retarding color coded synthetic rubber

#### Cable Clamp

316 Stainless Steel worm Gear

#### Environment Cover

Oil, Alaline & UV resistant, flame retarding black synthetic rubber

#### Contact

Tin Plated Copper

#### Plug Retention Ring

316 Stainless Steel

#### Retaining Cord

Non-conductive PVC coated stainless steel wire rope, black with zinc plated copper crimps

# Complete Cable Mounted Receptacle

SMP-CMR-F-XX  
SMP-CMR-F-XX



## Materials

### Retaining Cord

Non-conductive PVC coated stainless steel wire rope, black with zinc plated copper crimps

### Hasp Assembly

316 Stainless Steel

### Cable Clamp

316 Stainless Steel worm gear

### Environment Cover

Oil, Alaline & UV resistant, flame retarding black

### Contact

Tin plated copper

### Contact Safe Front-End

Black Insulator

### Plug Retention Ring

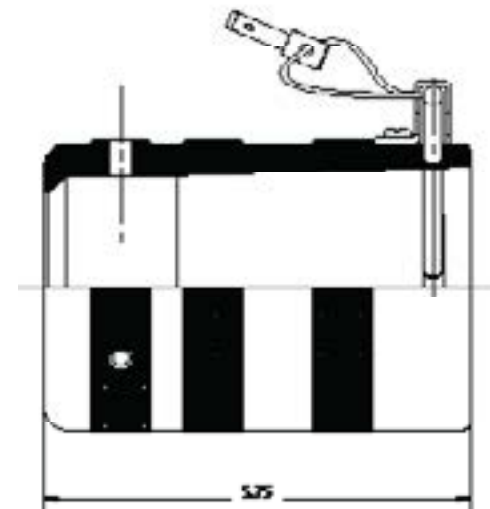
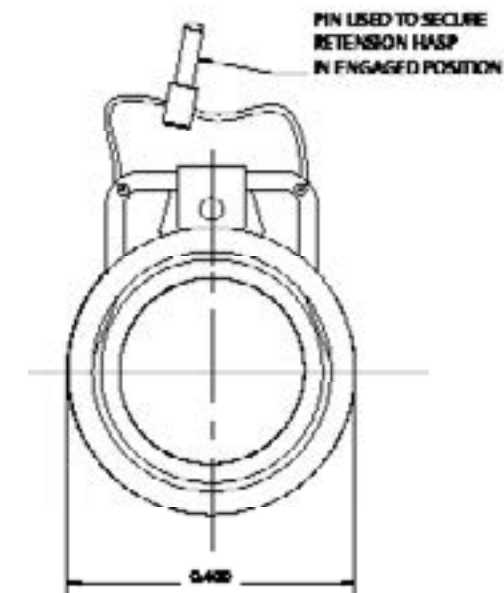
316 Stainless Steel

### Coupler Body

Oil, Alkaline & UV resistant, color coded epoxy powder coating over machined hard anodized aluminum with knurled sections

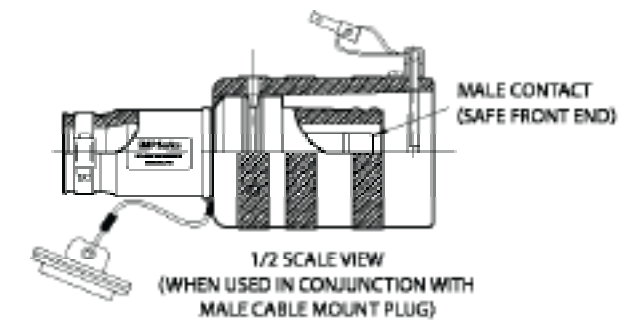
# Cable Mounted Receptacle Shell

SMP-CMR-XX-XX



TO BE USED IN CONJUNCTION WITH MALE CABLE MOUNT PLUG, SMP-CMP-XM-XX

X= WIRE SIZE  
XX = COLOR



## Materials

### Retaining Cord

Non-conductive PVC coated stainless steel wire rope, black with zinc plated copper crimps

### Hasp Assembly

316 Stainless Steel

### Cable Clamp

316 Stainless Steel worm gear

### Coupler Body

Oil, Alkaline & UV resistant, color coded epoxy, powder coating over machined hard anodized aluminum with knurled sections

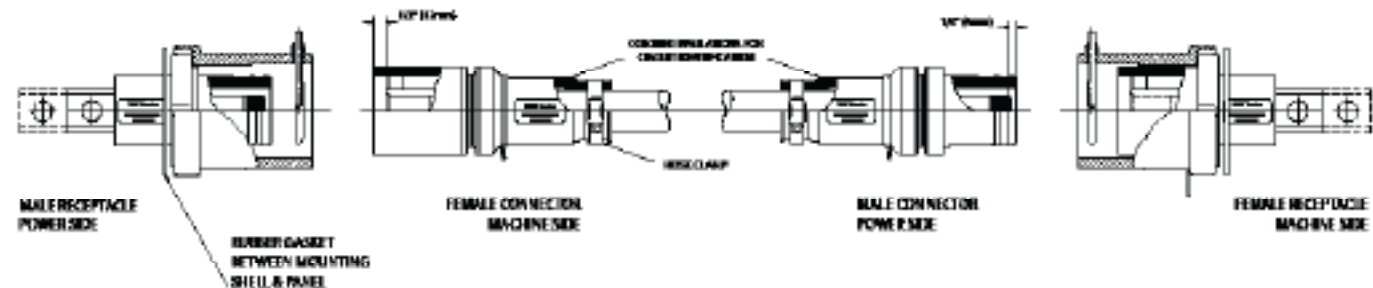
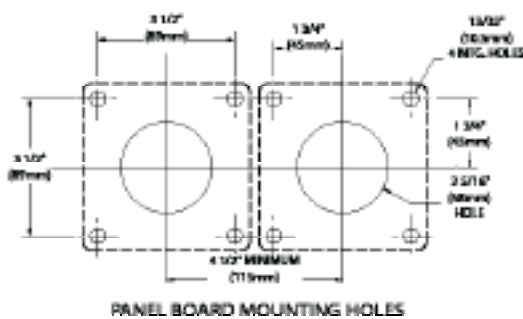


# SMP™ Series Assembly Instructions

## Application:

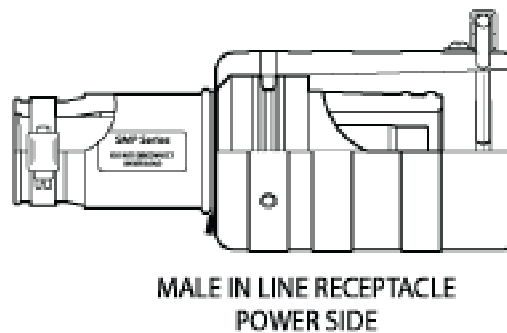
SMP™ Series connectors have been designed to safely distribute 1135 Amps @ 1000 Volt AC or DC power. These connectors are rated for 1135 Ampa continuous operation at 110°C. Connectors are not designed for disconnection under load.

Male Receptacle, in line Receptacle or Male Connector is used on power side circuit for connection to portable cable. Female Connector or Receptacle is used on machine or motor side of circuit for connection to portable cable. Male and female Contacts are sized to match cable size and must be ordered for specific cable size. Contacts may be attached to cable by crimping dies and equipment, copper cable only.



## Crimp Die Data:

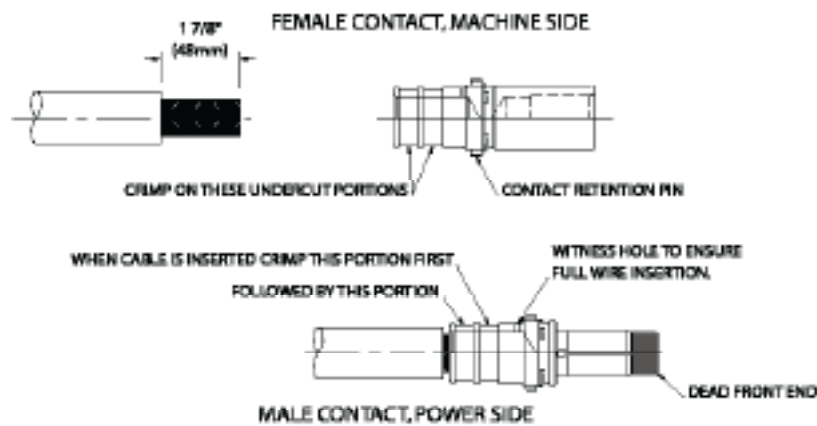
Thomas & Betts 13642PF			Thomas & Betts TBM15I		
Cable Size MCM	Hydraulic Die Cat. No.	Head Die Code	Cable Size MCM	Hydraulic Die Cat. No.	Head Die Code
4/0 & 313	11744	76H	313	15512	76H
373 & 444	11748	99H	444	15505	99H
535	11749	106H	535	15515	106H
646	11753	115H	646	11504	115H
777	11753	115H	777	11504	115H



## Crimp Termination Data:

SMP™ Series connectors consist of an electrical contact and a synthetic rubber insulation.

- Cut cable to length
- Strip cable jacket and any binders back by 1-7/8" (48mm)



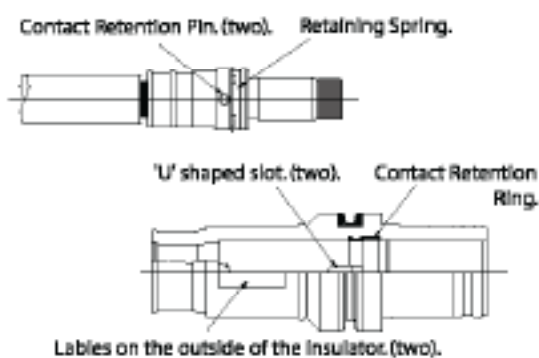
- Crimp or solder conductor to contact (see chart for crimping tools)
- Make 2 crimps on undercut portion of contact.

## Pin Alignment:

Each contact has two contact retention pins. These pins are to be aligned with the 'U' slots in the Contact Retention ring inside the insulator. To aid assembly, the 'U' slots line up with the two cables on the outside of the insulator.

When inserted correctly, the retaining spring locks behind the Contact Retention ring to hold contact in position.

CUT AWAY SECTION OF MALE INSULATION TO SHOW 'U' SLOTS



# SMP™ Series Parts List

Use for easy part number and selection



## SMP™ PANEL MOUNT RECEPTACLES

Color	Single Hole Male	Double Hole Male	Single Hole Female	Double Hole Female
Black	SMP-PMR-1M-BK	SMP-PMR-2M-BK	SMP-PMR-1F-BK	SMP-PMR-2F-BK
Blue	SMP-PMR-1M-BL	SMP-PMR-2M-BL	SMP-PMR-1F-BL	SMP-PMR-2F-BL
Brown	SMP-PMR-1M-BR	SMP-PMR-2M-BR	SMP-PMR-1F-BR	SMP-PMR-2F-BR
Green	SMP-PMR-1M-G	SMP-PMR-2M-G	SMP-PMR-1F-G	SMP-PMR-2F-G
Gray	SMP-PMR-1M-GY	SMP-PMR-2M-GY	SMP-PMR-1F-GY	SMP-PMR-2F-GY
Orange	SMP-PMR-1M-OR	SMP-PMR-2M-OR	SMP-PMR-1F-OR	SMP-PMR-2F-OR
Purple	SMP-PMR-1M-P	SMP-PMR-2M-P	SMP-PMR-1F-P	SMP-PMR-2F-P
Red	SMP-PMR-1M-R	SMP-PMR-2M-R	SMP-PMR-1F-R	SMP-PMR-2F-R
White	SMP-PMR-1M-W	SMP-PMR-2M-W	SMP-PMR-1F-W	SMP-PMR-2F-W
Yellow	SMP-PMR-1M-Y	SMP-PMR-2M-Y	SMP-PMR-1F-Y	SMP-PMR-2F-Y

## SMP™ INSULATORS

Color	Male Insulators	Female Insulators
Black	SMP-CMP-M-BK	SMP-CMP-F-BK
Blue	SMP-CMP-M-BL	SMP-CMP-F-BL
Brown	SMP-CMP-M-BR	SMP-CMP-F-BR
Green	SMP-CMP-M-G	SMP-CMP-F-G
Gray	SMP-CMP-M-GY	SMP-CMP-F-GY
Orange	SMP-CMP-M-OR	SMP-CMP-F-OR
Purple	SMP-CMP-M-P	SMP-CMP-F-P
Red	SMP-CMP-M-R	SMP-CMP-F-R
White	SMP-CMP-M-W	SMP-CMP-F-W
Yellow	SMP-CMP-M-Y	SMP-CMP-F-Y

## SMP™ INLINE COUPLER HOUSING

Color	Part #
Black	SMP-CMR-BK-AL
Blue	SMP-CMR-BL-AL
Brown	SMP-CMR-BR-AL
Green	SMP-CMR-G-AL
Gray	SMP-CMR-GY-AL
Orange	SMP-CMR-OR-AL
Purple	SMP-CMR-P-AL
Red	SMP-CMR-R-AL
White	SMP-CMR-W-AL
Yellow	SMP-CMR-Y-AL

## SMP™ CABLE MOUNTED PLUGS - Male

Color	4/0 AWG	262MCM	313MCM	373MCM	444MCM	535MCM	646MCM	777MCM
Black	SMP-CMP-4/0M-BK	SMP-CMP-262M-BK	SMP-CMP-313M-BK	SMP-CMP-373M-BK	SMP-CMP-444M-BK	SMP-CMP-535M-BK	SMP-CMP-646M-BK	SMP-CMP-777M-BK
Blue	SMP-CMP-4/0M-BL	SMP-CMP-262M-BL	SMP-CMP-313M-BL	SMP-CMP-373M-BL	SMP-CMP-444M-BL	SMP-CMP-535M-BL	SMP-CMP-646M-BL	SMP-CMP-777M-BL
Brown	SMP-CMP-4/0M-BR	SMP-CMP-262M-BR	SMP-CMP-313M-BR	SMP-CMP-373M-BR	SMP-CMP-444M-BR	SMP-CMP-535M-BR	SMP-CMP-646M-BR	SMP-CMP-777M-BR
Green	SMP-CMP-4/0M-G	SMP-CMP-262M-G	SMP-CMP-313M-G	SMP-CMP-373M-G	SMP-CMP-444M-G	SMP-CMP-535M-G	SMP-CMP-646M-G	SMP-CMP-777M-G
Gray	SMP-CMP-4/0M-GY	SMP-CMP-262M-GY	SMP-CMP-313M-GY	SMP-CMP-373M-GY	SMP-CMP-444M-GY	SMP-CMP-535M-GY	SMP-CMP-646M-GY	SMP-CMP-777M-GY
Orange	SMP-CMP-4/0M-OR	SMP-CMP-262M-OR	SMP-CMP-313M-OR	SMP-CMP-373M-OR	SMP-CMP-444M-OR	SMP-CMP-535M-OR	SMP-CMP-646M-OR	SMP-CMP-777M-OR
Purple	SMP-CMP-4/0M-P	SMP-CMP-262M-P	SMP-CMP-313M-P	SMP-CMP-373M-P	SMP-CMP-444M-P	SMP-CMP-535M-P	SMP-CMP-646M-P	SMP-CMP-4/0M-P
Red	SMP-CMP-4/0M-R	SMP-CMP-262M-R	SMP-CMP-313M-R	SMP-CMP-373M-R	SMP-CMP-444M-R	SMP-CMP-535M-R	SMP-CMP-646M-R	SMP-CMP-777M-R
White	SMP-CMP-4/0M-W	SMP-CMP-262M-W	SMP-CMP-313M-W	SMP-CMP-373M-W	SMP-CMP-444M-W	SMP-CMP-535M-W	SMP-CMP-646M-W	SMP-CMP-777M-W
Yellow	SMP-CMP-4/0M-Y	SMP-CMP-262M-Y	SMP-CMP-313M-Y	SMP-CMP-373M-Y	SMP-CMP-444M-Y	SMP-CMP-535M-Y	SMP-CMP-646M-Y	SMP-CMP-777M-Y

## SMP™ CABLE MOUNTED PLUGS - Female

Color	4/0 AWG	262MCM	313MCM	373MCM	444MCM	535MCM	646MCM	777MCM
Black	SMP-CMP-4/0F-BK	SMP-CMP-262F-BK	SMP-CMP-313F-BK	SMP-CMP-373F-BK	SMP-CMP-444F-BK	SMP-CMP-535F-BK	SMP-CMP-646F-BK	SMP-CMP-777F-BK
Blue	SMP-CMP-4/0F-BL	SMP-CMP-262F-BL	SMP-CMP-313F-BL	SMP-CMP-373F-BL	SMP-CMP-444F-BL	SMP-CMP-535F-BL	SMP-CMP-646F-BL	SMP-CMP-777F-BL
Brown	SMP-CMP-4/0F-BR	SMP-CMP-262F-BR	SMP-CMP-313F-BR	SMP-CMP-373F-BR	SMP-CMP-444F-BR	SMP-CMP-535F-BR	SMP-CMP-646F-BR	SMP-CMP-777F-BR
Green	SMP-CMP-4/0F-G	SMP-CMP-262F-G	SMP-CMP-313F-G	SMP-CMP-373F-G	SMP-CMP-444F-G	SMP-CMP-535F-G	SMP-CMP-646F-G	SMP-CMP-777F-G
Gray	SMP-CMP-4/0F-GY	SMP-CMP-262F-GY	SMP-CMP-313F-GY	SMP-CMP-373F-GY	SMP-CMP-444F-GY	SMP-CMP-535F-GY	SMP-CMP-646F-GY	SMP-CMP-777F-GY
Orange	SMP-CMP-4/0F-OR	SMP-CMP-262F-OR	SMP-CMP-313F-OR	SMP-CMP-373F-OR	SMP-CMP-444F-OR	SMP-CMP-535F-OR	SMP-CMP-646F-OR	SMP-CMP-777F-OR
Purple	SMP-CMP-4/0F-P	SMP-CMP-262F-P	SMP-CMP-313F-P	SMP-CMP-373F-P	SMP-CMP-444F-P	SMP-CMP-535F-P	SMP-CMP-646F-P	SMP-CMP-4/0F-P
Red	SMP-CMP-4/0F-R	SMP-CMP-262F-R	SMP-CMP-313F-R	SMP-CMP-373F-R	SMP-CMP-444F-R	SMP-CMP-535F-R	SMP-CMP-646F-R	SMP-CMP-777F-R
White	SMP-CMP-4/0F-W	SMP-CMP-262F-W	SMP-CMP-313F-W	SMP-CMP-373F-W	SMP-CMP-444F-W	SMP-CMP-535F-W	SMP-CMP-646F-W	SMP-CMP-777F-W
Yellow	SMP-CMP-4/0F-Y	SMP-CMP-262F-Y	SMP-CMP-313F-Y	SMP-CMP-373F-Y	SMP-CMP-444F-Y	SMP-CMP-535F-Y	SMP-CMP-646F-Y	SMP-CMP-777F-Y

## SMP™ PANEL MOUNT RECEPTACLE INSULATION & CONTACT ASSEMBLIES

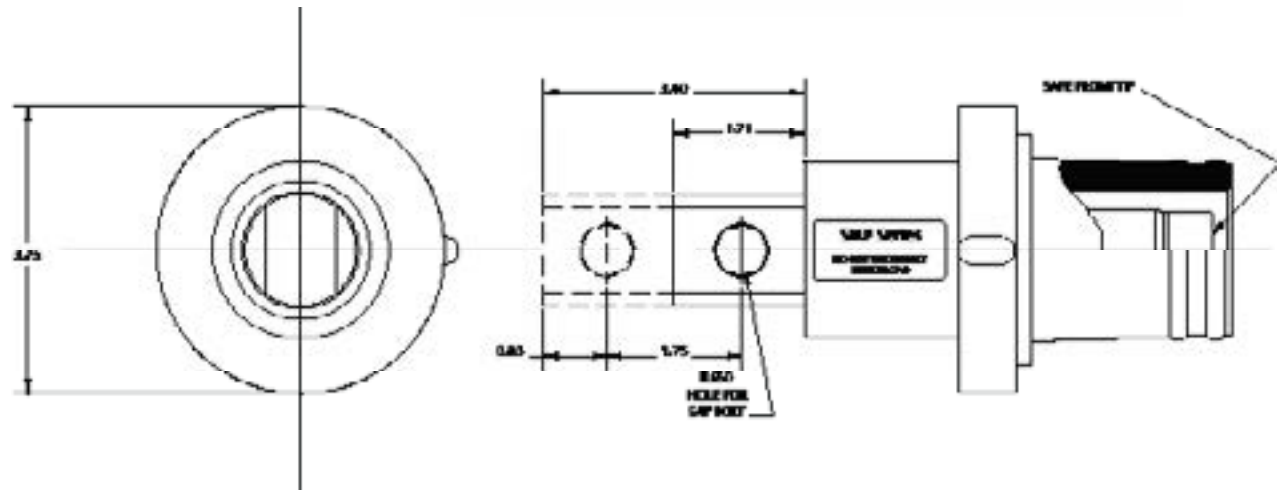
Color	Single Hole Male	Double Hole Male	Single Hole Female	Double Hole Female
Black	SMP-PMR-I-1M-BK	SMP-PMR-I-2M-BK	SMP-PMR-I-1F-BK	SMP-PMR-I-2F-BK
Blue	SMP-PMR-I-1M-BL	SMP-PMR-I-2M-BL	SMP-PMR-I-1F-BL	SMP-PMR-I-2F-BL
Brown	SMP-PMR-I-1M-BR	SMP-PMR-I-2M-BR	SMP-PMR-I-1F-BR	SMP-PMR-I-2F-BR
Green	SMP-PMR-I-1M-G	SMP-PMR-I-2M-G	SMP-PMR-I-1F-G	SMP-PMR-I-2F-G
Gray	SMP-PMR-I-1M-GY	SMP-PMR-I-2M-GY	SMP-PMR-I-1F-GY	SMP-PMR-I-2F-GY
Orange	SMP-PMR-I-1M-OR	SMP-PMR-I-2M-OR	SMP-PMR-I-1F-OR	SMP-PMR-I-2F-OR
Purple	SMP-PMR-I-1M-P	SMP-PMR-I-2M-P	SMP-PMR-I-1F-P	SMP-PMR-I-2F-P
Red	SMP-PMR-I-1M-R	SMP-PMR-I-2M-R	SMP-PMR-I-1F-R	SMP-PMR-I-2F-R
White	SMP-PMR-I-1M-W	SMP-PMR-I-2M-W	SMP-PMR-I-1F-W	SMP-PMR-I-2F-W
Yellow	SMP-PMR-I-1M-Y	SMP-PMR-I-2M-Y	SMP-PMR-I-1F-Y	SMP-PMR-I-2F-Y

## SMP™ CONTACTS

Cable Size	Male Contacts Part #	Female Contacts Part #
4/0 = 4/0 AWG	SMP-C-4/0M	SMP-C-4/0F
262 = 262 MCM	SMP-C-262M	SMP-C-262F
313 = 313 MCM	SMP-C-3M	SMP-C-3F
373 = 373 MCM	SMP-C-373M	SMP-C-373F
444 = 444 MCM	SMP-C-4M	SMP-C-4F
535 = 535 MCM	SMP-C-5M	SMP-C-5F
646 = 646 MCM	SMP-C-6M	SMP-C-6F
777 = 777 MCM	SMP-C-7M	SMP-C-7F

# Contact, Male, Panel Mounted

SMP-PMR-XX



## Materials

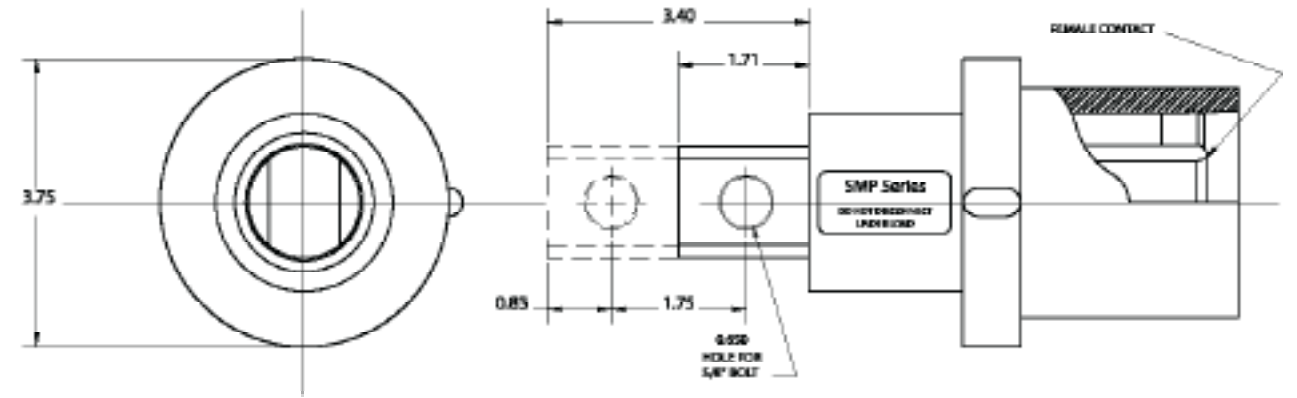
**Insulation**  
Oil, Alkaline,  
& UV resistant,  
flame retarding  
color coded  
synthetic rubber

**Contact**  
Tin plated copper

**Service Rating**  
1135 amps. 1000V.  
AC/DC

# Contact, Female, Panel Mounted

SMP-PMR-XX



## Materials

**Insulation**  
Oil, Alkaline,  
& UV resistant,  
flame retarding  
color coded  
synthetic rubber

**Contact**  
Tin plated copper

**Service Rating**  
1135 amps. 1000V.  
AC/DC

Contact, Male, Panel Mount	
Single Hole Bus Bar	Double Hole Bus Bar
SMP - C - 1M - R	SMP - C - 2M - R
SMP - C - 1M - BK	SMP - C - 2M - BK
SMP - C - 1M - W	SMP - C - 2M - W
SMP - C - 1M - G	SMP - C - 2M - G
SMP - C - 1M - P	SMP - C - 2M - P
SMP - C - 1M - Y	SMP - C - 2M - Y
SMP - C - 1M - OR	SMP - C - 2M - OR
SMP - C - 1M - BL	SMP - C - 2M - BL
SMP - C - 1M - BR	SMP - C - 2M - BR
SMP - C - 1M - GY	SMP - C - 2M - GY

To be used with Panel Mounted Receptacle Shell
SMP - PMR - R
SMP - PMR - BK
SMP - PMR - W
SMP - PMR - G
SMP - PMR - P
SMP - PMR - Y
SMP - PMR - OR
SMP - PMR - BL
SMP - PMR - BR
SMP - PMR - GY

Contact, Female, Panel Mount	
Single Hole Bus Bar	Double Hole Bus Bar
SMP - C - 1F - R	SMP - C - 2F - R
SMP - C - 1F - BK	SMP - C - 2F - BK
SMP - C - 1F - W	SMP - C - 2F - W
SMP - C - 1F - G	SMP - C - 2F - G
SMP - C - 1F - P	SMP - C - 2F - P
SMP - C - 1F - Y	SMP - C - 2F - Y
SMP - C - 1F - OR	SMP - C - 2F - OR
SMP - C - 1F - BL	SMP - C - 2F - BL
SMP - C - 1F - BR	SMP - C - 2F - BR
SMP - C - 1F - GY	SMP - C - 2F - GY

To be used with Panel Mounted Receptacle Shell
SMP - PMR - R
SMP - PMR - BK
SMP - PMR - W
SMP - PMR - G
SMP - PMR - P
SMP - PMR - Y
SMP - PMR - OR
SMP - PMR - BL
SMP - PMR - BR
SMP - PMR - GY

### Complete Connector includes:

Cable Mounted Plug, Coupling Sleeve, Protective Cover, Cable Clamp & Contact

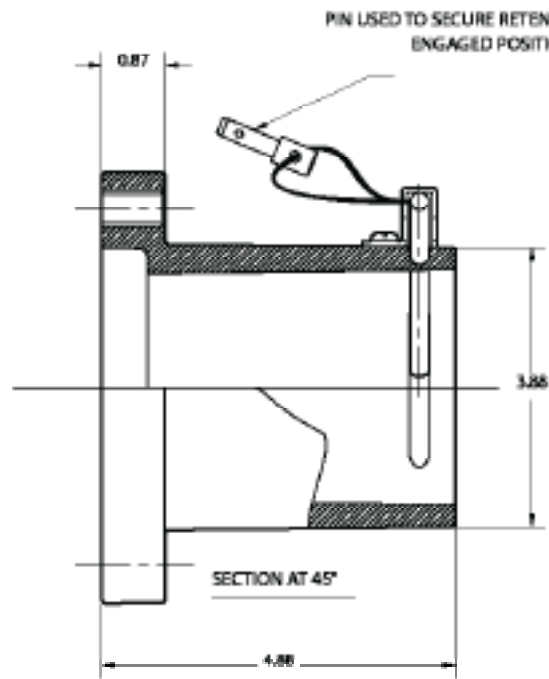
### Complete Connector includes:

Cable Mounted Plug, Coupling Sleeve, Protective Cover, Cable Clamp & Contact



# 4 Panel Mounted Receptacles

## Schematic Layout For Mounting of Receptacles



### Materials

#### Receptacle Body

Oil, Alkaline & UV Resistant  
Color Coded epoxy powder  
coating over cast aluminum

#### HASP Assembly

316 Stainless Steel

XX = COLOR CODE, SEE SMP-CODE  
BLANK = NOT POWDER

