

Corning® RocketRibbon™ Extreme-Density Closure with Heat-Shrink End Cap

SCF Closure, 8 x 28, open ribbon system (maximum 1728 fibers)

CORNING

The Corning® RocketRibbon™ Closures feature a unique trayless design and are available with heat-shrink or split mechanical end caps. Corning RocketRibbon splice closures are designed for splicing fibers in aerial or buried applications. These sealed canister closures are available in configurations that can accommodate 1296 to 1728 fibers when splicing ribbon fibers.

Allowing reel-end to reel-end splicing in the open ribbon system (ORS), the heat-shrink end cap is a simple and reliable solution that covers a wide range of cable diameters.

The SCF 8-inch, heat-shrink end caps includes one oval port, two large round drop ports that can accommodate one large cable or two small cables with branching clamp, three medium round drop ports, and two small drop ports.

Features and Benefits

Modular fiber management system

Preserve the ease of traditional (flat) ribbon splicing while gaining simplified ribbon fiber routing; increased splicing capability in the field, delivered in a compact size

Aerial, wall, pole, direct-buried

Suitable for all applications

Sealed butt-style closure

Environmental protection

Ribbon splicing

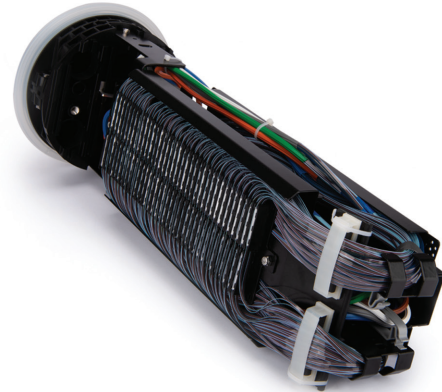
No splice trays required

Heat-shrink end caps

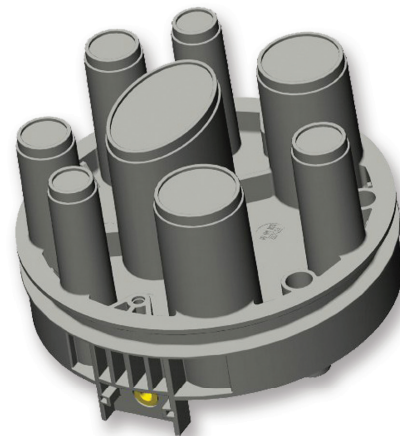
Easy installation of uncut cables

Standards

Approvals and Listings Telcordia GR-771 tested



Heat-Shrink End Cap | Photo TRCLS102



Part Number: SCF-8C28-HS-YORS

Corning® RocketRibbon™ Extreme-Density Closure with Heat-Shrink End Cap

SCF Closure, 8 x 28, open ribbon system (maximum 1728 fibers)

CORNING

Design - Hardware	
Main cable circular port count	7
Main cable oval port count	1
Main cable range	Up to 45 mm
Central member fixing for main cable	Yes
Distribution cable port count	6
Distribution cable range	Up to 35 mm
Supported cables	Ribbon Cables
Maximum splice fiber capacity	1728
System	ORS
Heat shrink splice protector support	Yes
Crimp splice protector support	No
Splitter support	No
Splitter Module	No Splitter
Extra buffer storage system	Installed
Water sensor tray	No
Colored trays	No
Customer logo on housing	To be ordered separately
Bulletproof housing	No
Grounding system	Yes
Test valve	Included
Size by Fiber Splice Capacity	1,728
Sealing Type	Mechanical
Closure Shape	Dome
Number of Distribution/Drop Cables ports	7
Working Environment	Manhole/Underground

Ordering Information

Part Number	SCF-8C28-HS-YORS
Product Description	Corning® RocketRibbon™ Extreme-Density Closure with Heat-Shrink End Cap, SCF Closure, 8 x 28, open ribbon system (maximum 1728 fibers)

Corning® RocketRibbon™ Extreme-Density Closure with Heat-Shrink End Cap

SCF Closure, 8 x 28, open ribbon system (maximum 1728 fibers)



Shipping Information

Packaging Dimensions (L x H x W)	254 mm x 1,041.4 mm x 254 mm (10 in x 41 in x 10 in)
Language installation instruction	English (US)
Units per Delivery	1/1



Corning Optical Communications LLC • PO Box 489 • Hickory, NC 28603-0489 USA

800-743-2675 • FAX: 828-325-5060 • International: +1-828-901-5000 • www.corning.com/opcomm

A complete listing of the trademarks of Corning Optical Communications is available at www.corning.com/opcomm/trademarks.

All other trademarks are the properties of their respective owners. Corning Optical Communications is ISO 9001 certified.

© 2018 Corning Optical Communications. All rights reserved.